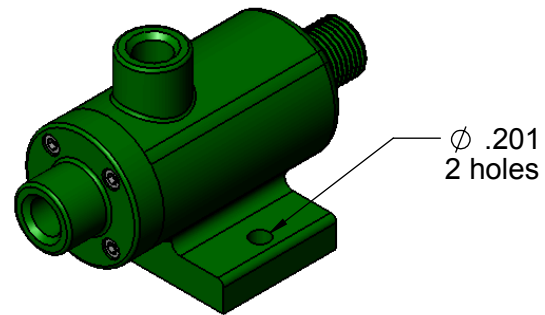
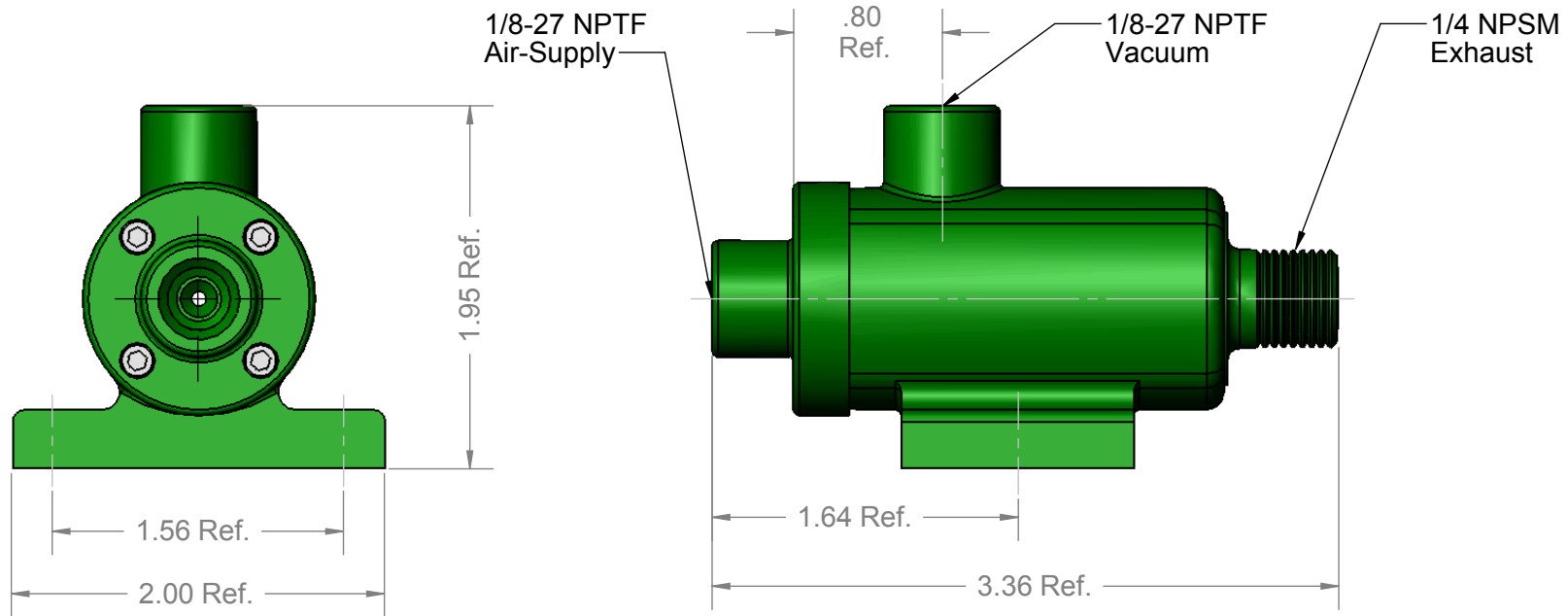


A B C D E F

1



2



3

4



THE INFORMATION IN THIS DOCUMENT IS PROPERTY OF
AIR-VAC ENGINEERING AND MAY NOT BE DISCLOSED
WITHOUT WRITTEN APPROVAL FROM AIR-VAC ENG.

TITLE:

AV VACUUM GENERATOR

A B C D E F