

A

B

C

D

E

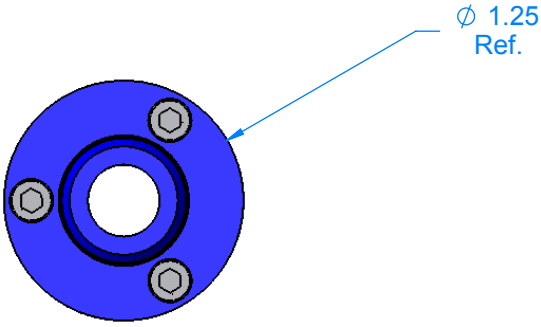
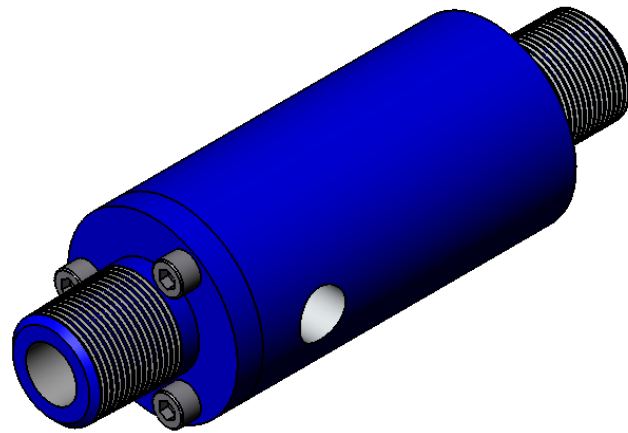
F

1

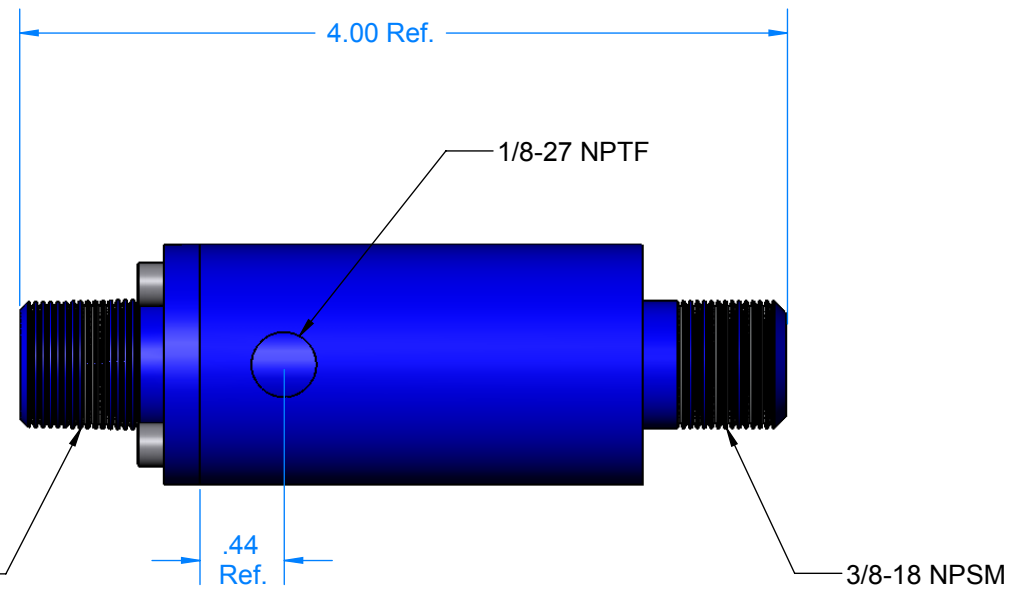
2

3

4



Ø 1.25  
Ref.



4.00 Ref.

1/8-27 NPTF

3/8-18 NPTM

.44  
Ref.

3/8-18 NPSM



THE INFORMATION IN THIS DOCUMENT IS PROPERTY OF  
AIR-VAC ENGINEERING AND MAY NOT BE DISCLOSED  
WITHOUT WRITTEN APPROVAL FROM AIR-VAC ENG.

TITLE:

**TDRH Vacuum Transducer**

A

B

C

D

E

F