

A

B

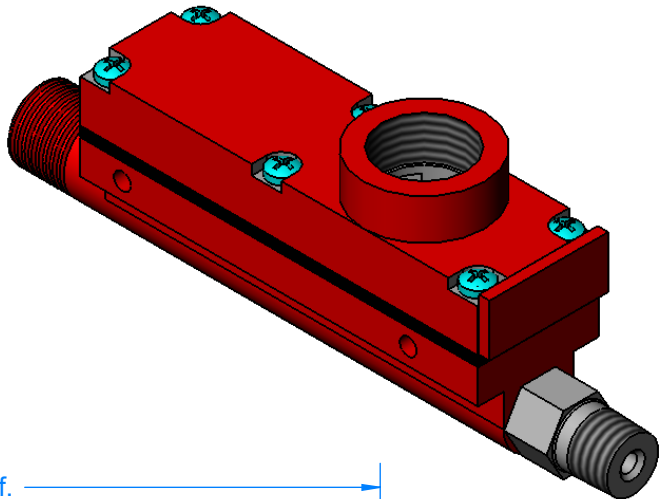
C

D

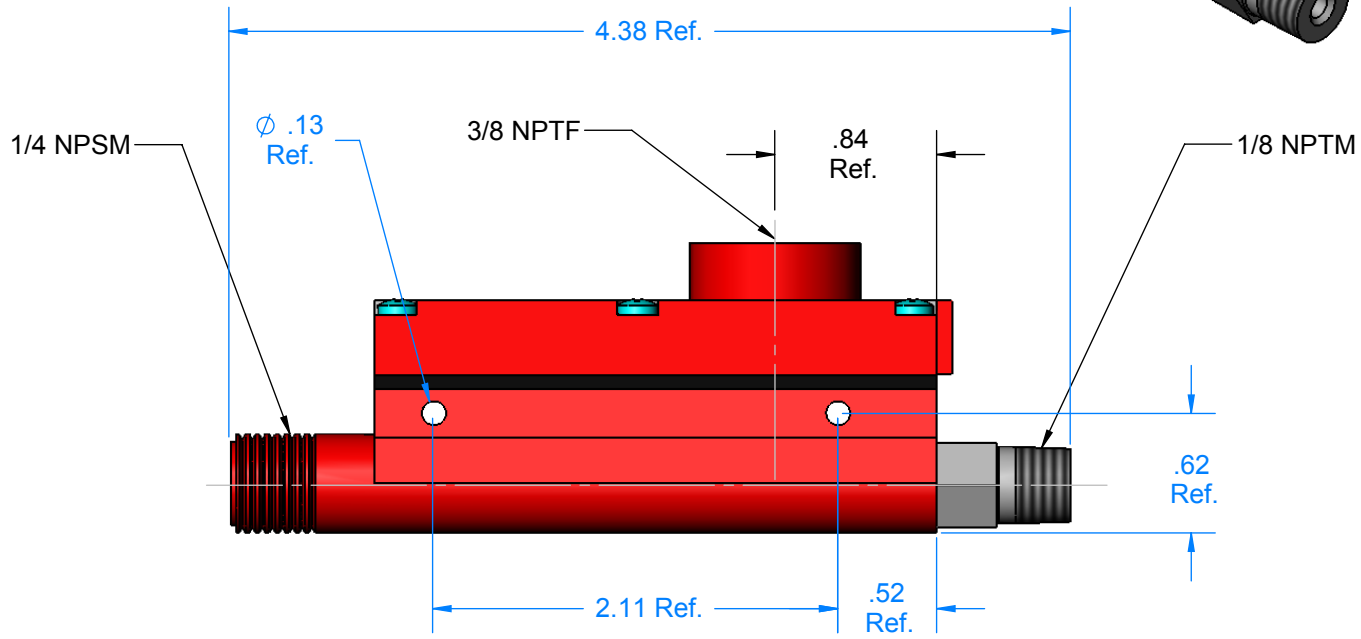
E

F

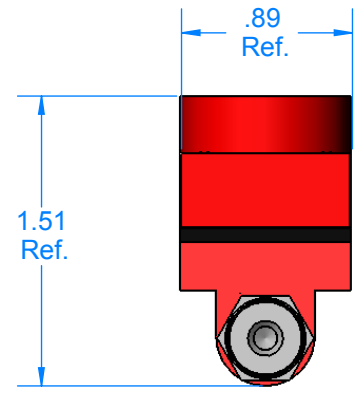
1



2



3



4



THE INFORMATION IN THIS DOCUMENT IS PROPERTY OF
AIR-VAC ENGINEERING AND MAY NOT BE DISCLOSED
WITHOUT WRITTEN APPROVAL FROM AIR-VAC ENG.

TITLE:

Plastic Multi Flow Pump

A

B

C

D

E

F