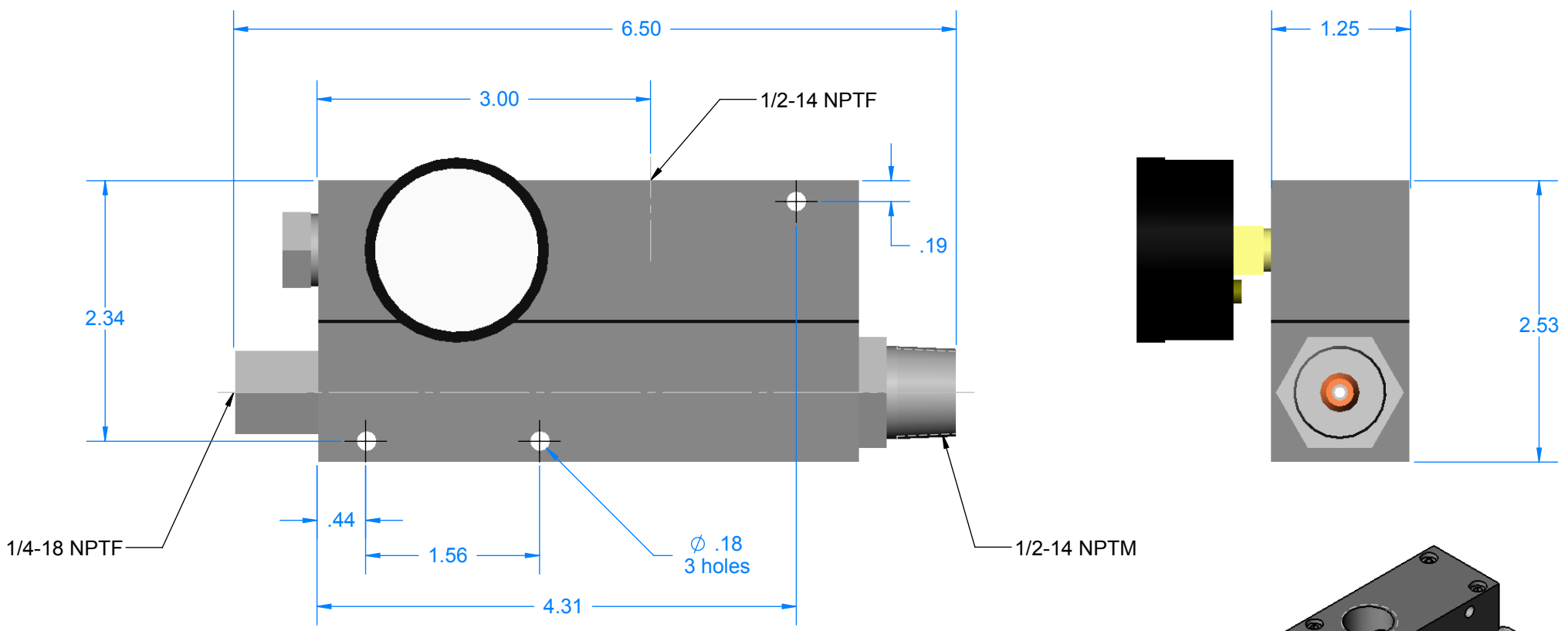


A B C D E F



Performance Data

PUMP	PSI	" Hg	V.F.	A.C.
MF147H60M	60 psig	27.0 min.	12.1 scfm min.	4.1 scfm max.



AIR-VAC ENGINEERING AND MAY NOT BE DISCLOSED WITHOUT WRITTEN APPROVAL FROM AIR-VAC ENG.

TITLE:

**MF147H60M
VACUUM TRANSDUCER**

A B C D E F