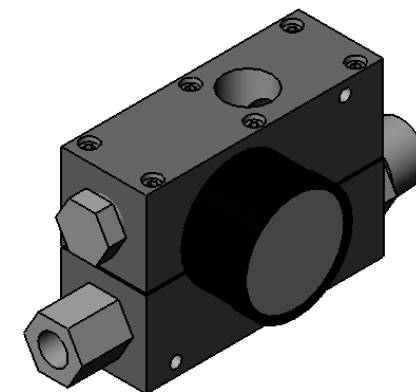


Performance Data

PUMP	PSI	" Hg	V.F.	A.C.
MF109H60M	60 psig	27.0 min.	9.4 scfm ±10%	1.9 scfm ±10%



THE INFORMATION IN THIS DOCUMENT IS PROPERTY OF AIR-VAC ENGINEERING AND MAY NOT BE DISCLOSED WITHOUT WRITTEN APPROVAL FROM AIR-VAC ENG.

TITLE:

**MF109H60M
VACUUM TRANSDUCER**