

A

B

C

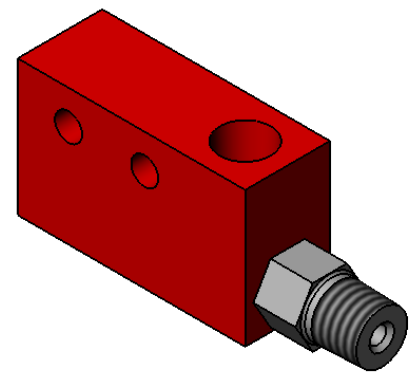
D

E

F

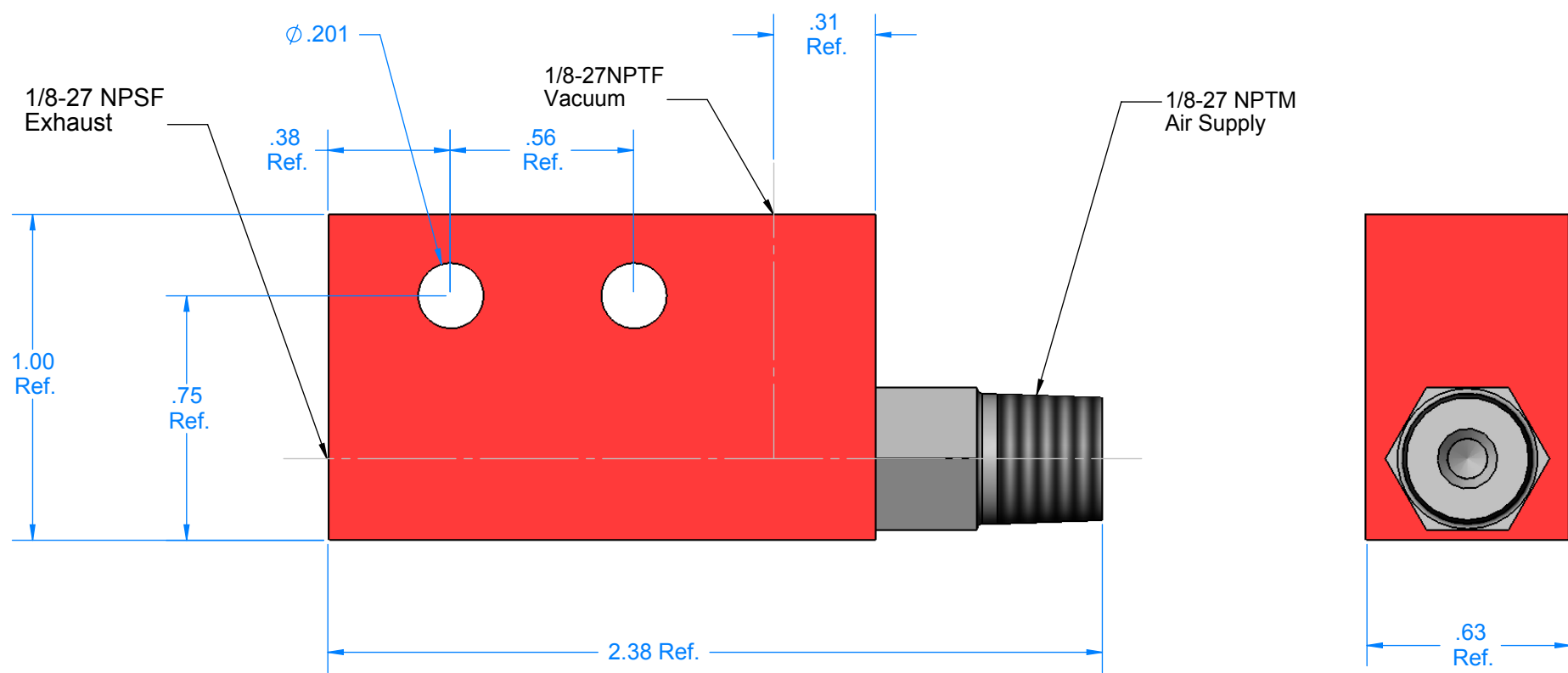
1

1



2

2



4

4



THE INFORMATION IN THIS DOCUMENT IS PROPERTY OF AIR-VAC ENGINEERING AND MAY NOT BE DISCLOSED WITHOUT WRITTEN APPROVAL FROM AIR-VAC ENG.

TITLE:

AVR Transducer

A

B

C

D

E

F