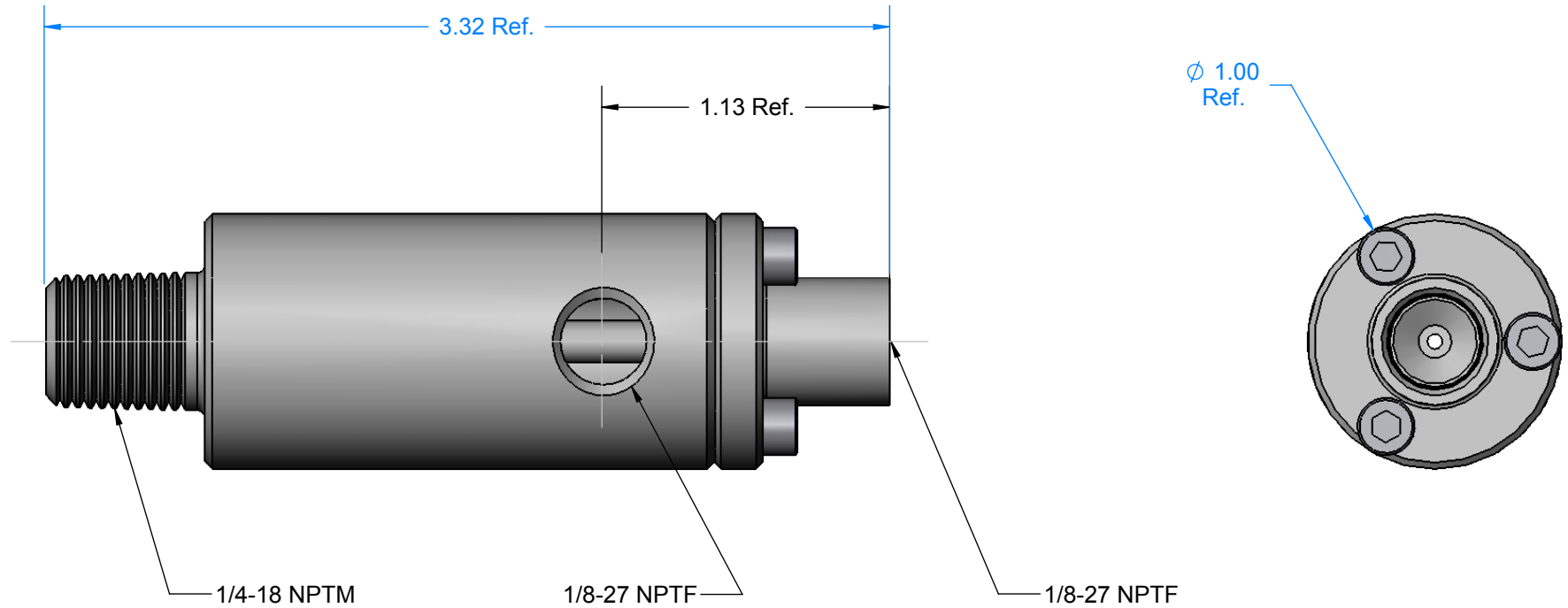


A B C D E F



Performance Data

Vacuum Transducer	PSI	"Hg	V.F.	A.C.
AV147HSS	75 psig	27 " Hg min.	2.8 scfm ±10%	4.3 scfm ±10%



THE INFORMATION IN THIS DOCUMENT IS PROPERTY OF AIR-VAC ENGINEERING AND MAY NOT BE DISCLOSED WITHOUT WRITTEN APPROVAL FROM AIR-VAC ENG.

TITLE:
Vacuum Transducer AV147HSS

A B C D E F